

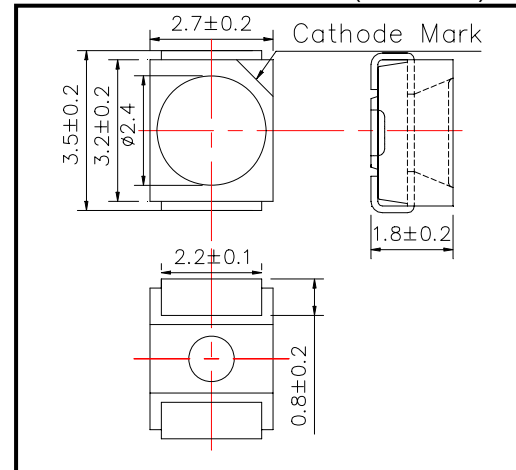
## SMT505 High Bright Bluish Green color TOP LED

SMT505 consists of an InGaN LED mounted on the lead frame as TOP LED package and is 100mcd typical of Brightness. It emits a spectral band of radiation at 505nm.

### ◆ Specifications

1) Product Name	TOP LED
2) Type No.	SMT505
3) Chip	
(1) Chip Material	InGaN
(2) Peak Wavelength	505nm typ.
4) Package	
(1) Lead Frame Die	Silver Plated
(2) Package Resin	PPA Resin
(3) Lens	Epoxy Resin

◆ Outer dimension (Unit: mm)



### ◆ Absolute Maximum Ratings

Item	Symbol	Maximum Rated Value	Unit	Ambient Temperature
Power Dissipation	P <sub>D</sub>	120	mW	T <sub>a</sub> =25°C
Forward Current	I <sub>F</sub>	30	mA	T <sub>a</sub> =25°C
Reverse Voltage	V <sub>R</sub>	5	V	T <sub>a</sub> =25°C
Operating Temperature	T <sub>OPR</sub>	-20 ~ +80	°C	
Storage Temperature	T <sub>STG</sub>	-30 ~ +80	°C	
Soldering Temperature	T <sub>SOL</sub>	240	°C	

‡ Soldering condition: Soldering condition must be completed within 3 seconds at 230°C

### ◆ Electro-Optical Characteristics [T<sub>a</sub>=25°C]

Item	Symbol	Condition	Minimum	Typical	Maximum	Unit
Forward Voltage	V <sub>F</sub>	I <sub>F</sub> =20mA		3.50	4.30	V
Reverse Current	I <sub>R</sub>	V <sub>R</sub> =5V			10	uA
Total Radiated Power	P <sub>O</sub>	I <sub>F</sub> =20mA		1.0		mW
Brightness	I <sub>v</sub>	I <sub>F</sub> =20mA		100		mcd
Radiant Intensity	I <sub>E</sub>	I <sub>F</sub> =20mA		0.3		mW/sr
Peak Wavelength	λ <sub>P</sub>	I <sub>F</sub> =20mA	495	505	515	nm
Half Width	Δλ	I <sub>F</sub> =20mA		30		nm
Viewing Half Angle	θ <sub>1/2</sub>	I <sub>F</sub> =20mA		±55		deg.

‡ Total Radiated Power is measured by Photodyne #500

‡ Brightness is measured by Tektronix J-16.