

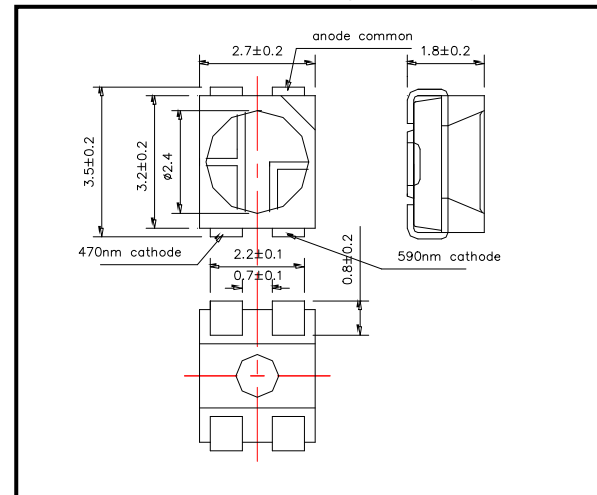
SMT470/590 High Performance Bi-color TOP LED

Bi-color LED of SMT470/590 consists of InGaN and AlGaInP LEDs mounted on the lead frame as TOP LED package and with $\pm 55^\circ$ of viewing half angle. It emits a spectral band of radiation at 465nm and 595nm at anode common.

◆ Specifications

- 1) Product Name Bi-color TOP LED
- 2) Type No. SMT470/590
- 3) Chip
- (1) Chip Material InGaN/AlGaInP
- (2) Peak Wavelength 465nm/595nm
- 4) Package
- (1) Lead Frame Die Silver Plated
- (2) Package Resin PPA Resin
- (3) Lens Epoxy or Silicone Resin

◆ Outer dimension (Unit: mm)



◆ Absolute Maximum Ratings

Item	Symbol	Maximum Rated Value		Unit	Ambient Temperature
		470nm	590nm		
Power Dissipation	P _D	200	130	mW	T _a =25°C
Forward Current	I _F	50		mA	T _a =25°C
Reverse Voltage	V _R	5		V	T _a =25°C
Junction Temperature	T _J	100		°C	
Thermal Resistance	R _{thjp}	200		K/W	
Operating Temperature	T _{OPR}	-20 ~ +80		°C	
Storage Temperature	T _{STG}	-30 ~ +80		°C	
Soldering Temperature	T _{SOL}	255		°C	

‡Soldering condition: Soldering condition must be completed within 10 seconds at 255C

◆ Electro-Optical Characteristics [T_a=25°C]

Item	Symbol	Condition	Minimum		Typical		Maximum		Unit
			470nm	590nm	470nm	590nm	470nm	590nm	
Forward Voltage	V _F	I _F =20mA			3.4	2.2	4.0	2.4	V
Reverse Current	I _R	V _R =5V					10		uA
Total Radiated Power	P _O	I _F =20mA			18	4			mW
Brightness	I _v	I _F =20mA			400	200			mcd
Radiant Intensity	I _E	I _F =20mA			6.0	1.4			mW/sr
Peak Wavelength	λ _P	I _F =20mA	455	585	465	595	475	605	nm
Half Width	Δλ	I _F =20mA			20	18			nm
Viewing Half Angle	θ _{1/2}	I _F =20mA			±15				deg.

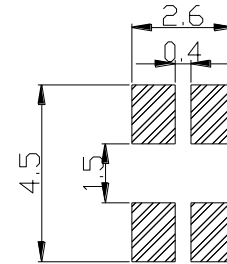
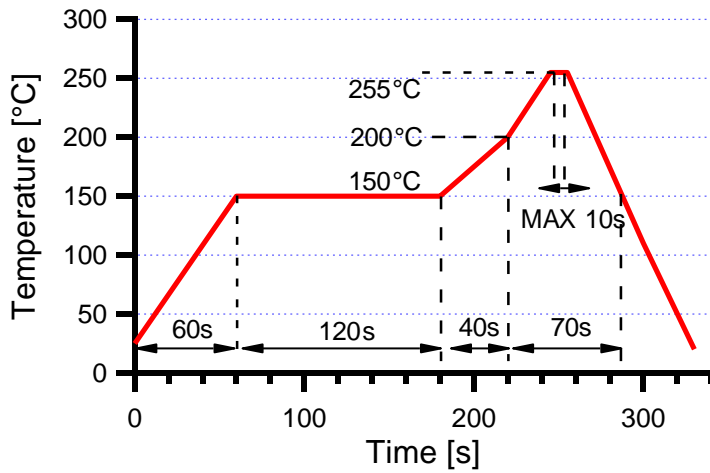
‡Total Radiated Power is measured by Photodyne #500

‡Brightness is measured by Tektronix J-16.

◆ SMD Application

IR-Reflow Soldering Profile for lead free soldering

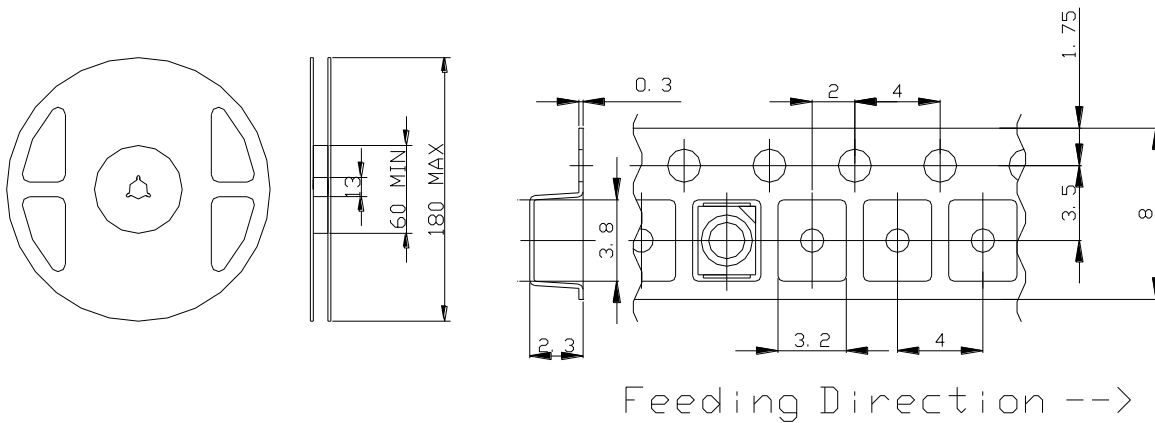
Recommended Land Layout (Unit: mm)



Don't put stress on SMD and a circuit board after soldering.

◆ SMD Packing

Tape and Reel Dimensions (Unit: mm)



◆ Wrapping

Moisture barrier bag aluminum laminated film with a desiccant to keep out the moisture absorption during the transportation and storage.

SMD LED STORAGE AND HANDLING PRECAUTIONS

< Storage Conditions before Opening a Moisture-Barrier Aluminum Bag >

- Before opening a moisture-barrier aluminum bag, please store it at <30°C, <60%RH. Please note that the maximum shelf life is 12 months under these conditions.

< Storage Conditions after Opening a Moisture-Barrier Aluminum Bag >

- After opening a moisture-barrier aluminum bag, store the aluminum bag and silica gel in a desiccator.
- After opening the bag, please solder the LEDs within 48 hours in a room with 5 - 30°C, <50%RH.
- Please put any unused, remaining LEDs and silica gel back in the same aluminum bag and then vacuum-seal the bag.
- It is recommended to keep the re-sealed bag in a desiccator at <30%RH.

< Notes about Re-sealing a Moisture-Barrier Aluminum Bag >

- When vacuum-sealing an opened aluminum bag, if you find the moisture-indicator of the silica gel has changed to pink from blue (indicating a relative humidity of 30 % or more), please do not use the unused LEDs, the aluminum bag, or the silica gel.

< Notes about Opening a Re-sealed Moisture-Barrier Aluminum Bag >

- When opening a vacuumed and re-sealed aluminum bag in order to use the remaining LEDs stored in the bag, if you find that the moisture-indicator of the silica has changed to pink, please do not use the LEDs.

※The 48-hour-long floor life does not include the time while LEDs are stored in the moisture-barrier aluminum bag.
However, we strongly recommend to solder the LEDs as soon as possible after opening the aluminum bag.

Marubeni America Corporation

3945 Freedom Circle, Suite 1000, Santa Clara, CA 95054
408-330-0650 (Ext. 330), 408-330-0655 (FAX), sales@tech-led.com