

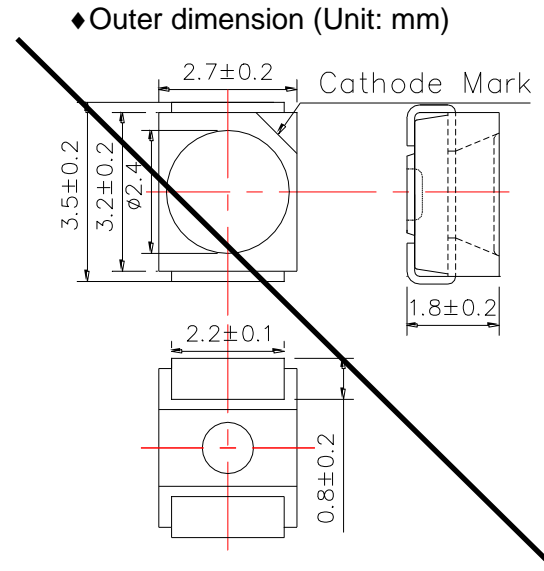
SMT395R UV TOP LED with UV resistant resin

SMT395R consists of an InGaN LED mounted on the lead frame as TOP LED package and is sealed with UV resistant resin.

It emits a spectral band of radiation at 395nm and is designed for long life under UV beam.

◆ Specifications

- 1) Product Name TOP LED
- 2) Type No. SMT395R
- 3) Chip
 - (1) Chip Material InGaN
 - (2) Peak Wavelength 395nm typ.
- 4) Package
 - (1) Lead Frame Die Silver Plated
 - (2) Package Resin PPA Resin
 - (3) Lens UV resistant Resin



◆ Absolute Maximum Ratings

Item	Symbol	Maximum Rated Value	Unit	Ambient Temperature
Power Dissipation	P _D	110	mW	T _a =25°C
Forward Current	I _F	30	mA	T _a =25°C
Reverse Voltage	V _R	5	V	T _a =25°C
Operating Temperature	T _{OPR}	-20 ~ +80	°C	
Storage Temperature	T _{STG}	-30 ~ +80	°C	
Soldering Temperature	T _{SOL}	250	°C	

‡Soldering condition: Soldering condition must be completed within 3 seconds at 250°C

◆ Electro-Optical Characteristics [T_a=25°C]

Item	Symbol	Condition	Minimum	Typical	Maximum	Unit
Forward Voltage	V _F	I _F =20mA		3.5	4.3	V
Reverse Current	I _R	V _R =5V			10	uA
Total Radiated Power	P _O	I _F =20mA	4	8		mW
Brightness	I _V	I _F =20mA	4	8		mcd
Peak Wavelength	λ _P	I _F =20mA	385	395	405	nm
Half Width	Δλ	I _F =20mA		15		nm
Viewing Half Angle	θ _{1/2}	I _F =20mA		±55		deg.

‡Total Radiated Power is measured by Ando Optical Multi Meter AQ2140 & AQ2741.

‡Brightness is measured by Tektronix J-16.