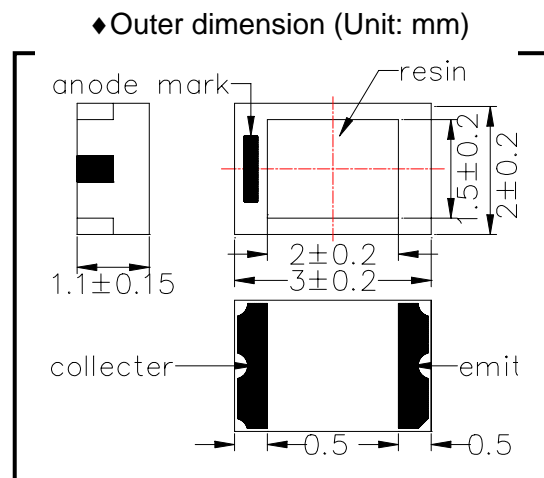


PT008-SMC SMD TYPE PHOTO-TRANSISTOR

PT008-SMC is a surface mount type photo-transistor featuring high photocurrent. This phototransistor consists of a chip with 0.6*0.6mm active area mounted in a ceramic package and covered with silicone or epoxy resin. This device exhibits a half angle of sensitivity $\pm 40^\circ$ and response time of 20us.

◆ Specifications

- 1) Product Name SMD Type Photo Transistor
- 2) Type No. PT008-SMC
- 3) Chip
 - (1) Chip Size 0.8mm*0.8mm
 - (2) Active Area 0.6mm*0.6mm
- 4) Package
 - (1) Type Ceramics
 - (2) Resin Material Silicone or Epoxy resin



◆ Absolute Maximum Ratings [Ta=25°C]

Item	Symbol	Maximum Rated Value	Unit
Collector-Emitter Breakdown Voltage	V _{CEO}	30	V
Emitter-Collector Breakdown Voltage	V _{ECO}	5	V
Collector Current	I _C	10	mA
Collector Dissipation	P _C	50	mW
Operating Temperature	T _{OPR}	-25 ~ +100	°C
Storage Temperature	T _{STG}	-30 ~ +125	°C
Soldering Temperature	T _{SOL}	240	°C

‡Soldering condition: Soldering condition must be completed within 2 seconds at 240°C

◆ Electro-Optical Characteristics [Ta=25°C]

Item	Symbol	Condition	Minimum	Typical	Maximum	unit
Photo Current	I _L	V _{CE} =5V, L=1000Lx	1	3		mA
Collector Dark Current	I _D	V _{CE} =5V			100	nA
Collector Emitter Satu. Voltage	V _{CE(S)}	I _C =2mA, L=1000Lx			0.2	V
Spectral Responsivity (Peak)	λ _P			900		nm
Half Angle of Sensitivity	∠θ			±40		deg.
Rise/Fall Time(10%~90%)	tr	R _L =1KΩ, V _{CE} =5V		20		us
	tf	I _C =1mA		20		us