

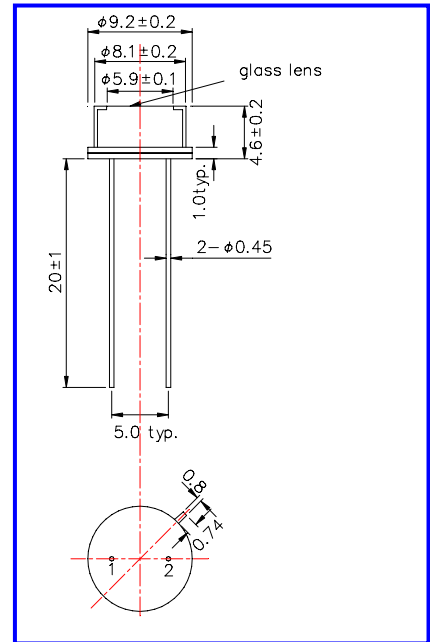
PD032P96 hermetical sealing type photo-diode

PD032P96 is a PIN-photodiode featuring excellent responsivity and high photocurrent. This PIN-photodiode consists of a large chip with $2.8 \times 2.8\text{mm}$ active area mounted on the TO-39 stem and is hermetical sealed by metal can with flat lens.

These devices are designed to be easy of setting up optically with a wide angle of half sensitivity of ± 50 degrees. ◆Outer dimension(Unit:mm)

◆Specifications

- 1)Product Name Hermetical Sealing Type Photo-Diode
- 2)Type No. PD032P96
- 3)Chip
 - (1)Chip Size $3.2\text{mm} \times 3.2\text{mm}$
 - (2)Active Area $2.8\text{mm} \times 2.8\text{mm}$
- 4)Package
 - (1)Type TO-39
 - (2)Lens Glass Flat Lens
 - (3)Cap Gold Plated



◆Absolute Maximum Ratings [Ta=25°C]

Item	Symbol	Maximum Rated Value	Unit
Reverse Breakdown Voltage	$V_{(BR)R}$	170	V
Operating Temperature	T_{OPR}	-25~+100	°C
Storage Temperature	T_{STG}	-30~+125	°C
Soldering Temperature	T_{SOL}	240	°C

‡Soldering condition : Soldering condition must be completed within 2 seconds at 240°C

◆Electro-Optical Characteristics [Ta=25°C]

Item	Symbol	Condition	Minimum	Typical	Maximum	unit
Reverse Photo Current	I_L	$V_R=10V, L=1000Lx$		80		μA
Reverse Dark Current	I_D	$V_R=10V$		5	30	nA
Open Circuit Voltage	V_{OC}	$V_R=10V, L=1000Lx$		350		mV
Spectral Responsivity (Peak)	Λ_P			900		nm
Half Angle of Sensitivity	$\Delta\theta$			± 50		deg.
Total Capacitance	C_T	$V_R=10V, f=1MHz$		25		pF
Rise/Fall Time (10% ~ 90%)	t_r	$R_L=1K\Omega, V_R=10V$		50		ns
	t_f			50		ns