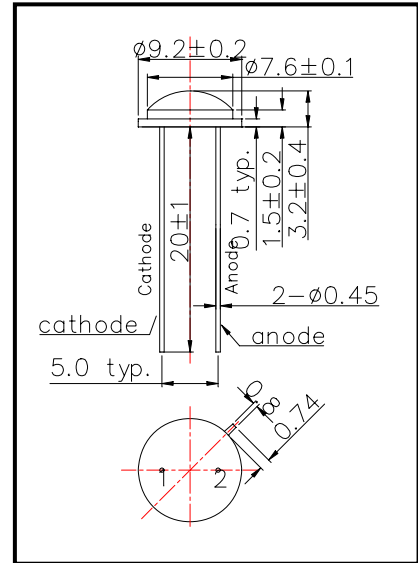


## PD032P00 stem type photo-diode

PD032P00 is a PIN-photodiode featuring excellent responsibility and high photocurrent. This PIN-photodiode consists of a large chip with 2.8mmx2.8mm active area mounted on the TO-39 stem and is sealed with epoxy resin.

These devices are designed to be easy of setting up optically with a wide angle of half sensitivity.

◆ Outer dimension (Unit: mm)



◆ Specifications

- |                 |                       |
|-----------------|-----------------------|
| 1) Product Name | Stem Type Photo-Diode |
| 2) Type No.     | PD032P00              |
| 3) Chip         |                       |
| (1) Chip Size   | 3.2mm × 3.2mm         |
| (2) Active Area | 2.8mm × 2.8mm         |
| 4) Package      |                       |
| (1) Type        | TO-39                 |
| (2) Lens        | Epoxy Resin           |

◆ Absolute Maximum Ratings [Ta=25°C]

Item	Symbol	Maximum Rated Value	Unit
Reverse Breakdown Voltage	$V_{(BR)R}$	170	V
Operating Temperature	$T_{OPR}$	-25 ~ +100	°C
Storage Temperature	$T_{STG}$	-30 ~ +125	°C
Soldering Temperature	$T_{SOL}$	240	°C

‡Soldering condition: Soldering condition must be completed within 2 seconds at 240°C

◆ Electro-Optical Characteristics [Ta=25°C]

Item	Symbol	Condition	Minimum	Typical	Maximum	unit
Reverse Photo Current	$I_L$	$V_R=10V, L=1000Lx$		100		uA
Reverse Dark Current	$I_D$	$V_R=10V$		5	30	nA
Open Circuit Voltage	$V_{OC}$	$V_R=10V, L=1000Lx$		350		mV
Spectral Responsivity (Peak)	$\lambda_P$			900		nm
Half Angle of Sensitivity	$\theta_{1/2}$			±65		deg.
Total Capacitance	$C_T$	$V_R=10V, f=1MHz$		25		pF
Rise/Fall Time(10%~90%)	$t_r$	$R_L=1K\Omega, V_R=10V$		50		ns
	$t_f$			50		ns