

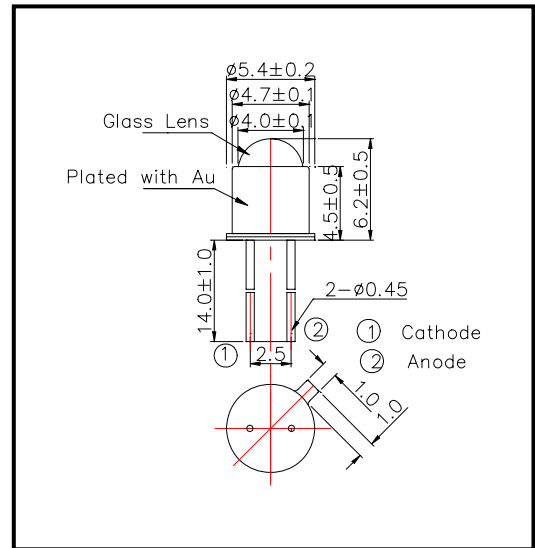
PD018T32 Stem type photo-diode

PD018T32 is a PIN-photodiode featuring excellent responsivity and high photocurrent. This PIN-photodiode consists of a large chip with 1.6x1.6mm active area mounted on the TO-18 stem and is hermetical sealed by metal can with glass ball lens. These devices are designed for high current and narrow angle of half sensitivity of $\pm 10^\circ$.

◆ Specifications

1) Product Name	Stem Type Photo-Diode
2) Type No.	PD018T32
3) Chip	
(1) Chip Size	1.8mmx1.8mm
(2) Active Area	1.6mmx1.6mm
4) Package	
(1) Type	TO-18
(2) Lens	Glass Ball Lens
(3)Cap	Gold Plated

◆ Outer dimension (Unit: mm)



◆ Absolute Maximum Ratings [Ta=25°C]

Item	Symbol	Maximum Rated Value	Unit
Reverse Breakdown Voltage	$V_{(BR)R}$	170	V
Operating Temperature	T_{OPR}	-25 ~ +100	°C
Storage Temperature	T_{STG}	-30 ~ +125	°C
Soldering Temperature	T_{SOL}	240	°C

‡Soldering condition: Soldering condition must be completed within 2 seconds at 240°C

◆ Electro-Optical Characteristics [Ta=25°C]

Item	Symbol	Condition	Minimum	Typical	Maximum	unit
Reverse Photo Current	I_L	$V_R=10V, L=1000Lx$		45		uA
Reverse Dark Current	I_D	$V_R=10V$			10	nA
Open Circuit Voltage	V_{OC}	$V_R=10V, L=1000Lx$		410		mV
Spectral Responsivity (Peak)	λ_P			900		nm
Half Angle of Sensitivity	$\theta_{1/2}$			± 10		deg.
Total Capacitance	C_T	$V_R=10V, f=1MHz$		18		pF
Rise/Fall Time(10%~90%)	t_r	$R_L=1K\Omega, V_R=10V$		30		ns
	t_f			30		ns