

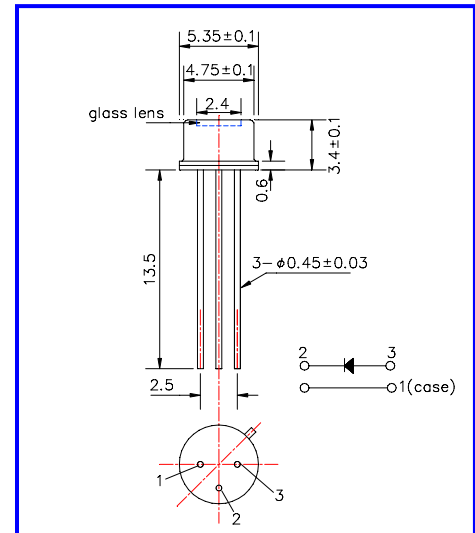
PD018D52 hermetical sealing type photo-diode

PD018D52 is a PIN-photodiode featuring excellent responsibility and high photocurrent. This PIN-photodiode consists of a large chip with 1.6×1.6mm active area mounted on the TO-18 (3pins) stem and is hermetical sealed by metal can with flat lens. These devices are designed to be easy of setting up optically with a wide angle of half sensitivity of ±45degrees.

◆Specifications

- 1)Product Name Hermetical Sealing Type Photo-Diode
- 2)Type No. PD018D52
- 3)Chip
 - (1)Chip Size 1.8mm×1.8mm
 - (2)Active Area 1.6mm×1.6mm
- 4)Package
 - (1)Type TO-18 (3pins)
 - (2)Lens Glass Flat Lens
 - (3)Cap Gold Plated

◆Outer dimension (Unit: mm)



◆Absolute Maximum Ratings [Ta=25°C]

Item	Symbol	Maximum Rated Value	Unit
Reverse Breakdown Voltage	V _{(BR)R}	170	V
Operating Temperature	T _{OPR}	-25~+100	°C
Storage Temperature	T _{STG}	-30~+125	°C
Soldering Temperature	T _{SOL}	240	°C

‡Soldering condition : Soldering condition must be completed within 2 seconds at 240°C

◆Electro-Optical Characteristics [Ta=25°C]

Item	Symbol	Condition	Minimum	Typical	Maximum	unit
Reverse Photo Current	I _L	V _R =10V, L=1000Lx		15		μA
Reverse Dark Current	I _D	V _R =10V			10	nA
Open Circuit Voltage	V _{OC}	V _R =10V, L=1000Lx				mV
Spectral Responsivity (Peak)	λ _P			900		nm
Half Angle of Sensitivity	∠θ			±45		deg.
Total Capacitance	C _T	V _R =10V, f=1MHz		18		pF
Rise/Fall Time (10% ~ 90%)	t _r	R _L =1KΩ, V _R =10V		30		ns
	t _f			30		ns