

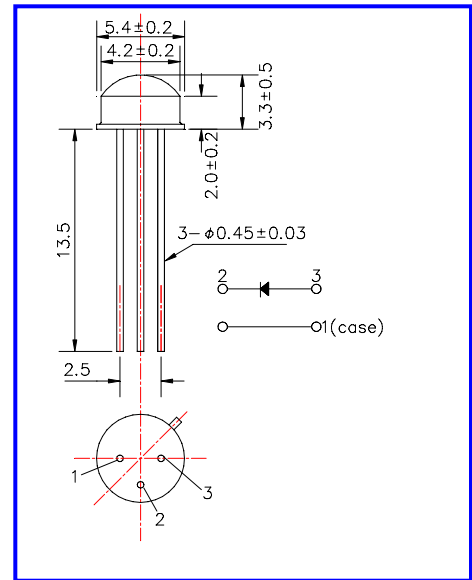
PD018D00 stem type photo-diode

PD018D00 is a PIN-photodiode featuring excellent responsibility and high photocurrent. This PIN-photodiode consists of a large chip with 1.6×1.6mm active area mounted on the TO-18 stem (3pins) and is sealed with epoxy resin. These devices are designed to be easy of setting up optically with a wide angle of half sensitivity.

◆ Specifications

- 1) Product Name Stem Type Photo-Diode
- 2) Type No. PD018D00
- 3) Chip
 - (1) Chip Size 1.8mm×1.8mm
 - (2) Active Area 1.6mm×1.6mm
- 4) Package
 - (1) Type TO-18(3pins)
 - (2) Lens Epoxy Resin

◆ Outer dimension (Unit: mm)



◆ Absolute Maximum Ratings [Ta=25°C]

Item	Symbol	Maximum Rated Value	Unit
Reverse Breakdown Voltage	$V_{(BR)R}$	170	V
Operating Temperature	T_{OPR}	-25~+100	°C
Storage Temperature	T_{STG}	-30~+125	°C
Soldering Temperature	T_{SOL}	240	°C

‡Soldering condition : Soldering condition must be completed within 2 seconds at 240°C

◆ Electro-Optical Characteristics [Ta= 25°C]

Item	Symbol	Condition	Minimum	Typical	Maximum	unit
Reverse Photo Current	I_L	$V_R=10V, L=1000Lx$		20		μA
Reverse Dark Current	I_D	$V_R=10V$			10	nA
Open Circuit Voltage	V_{OC}	$V_R=10V, L=1000Lx$		410		mV
Spectral Responsivity (Peak)	ΔP			900		nm
Half Angle of Sensitivity	$\Delta \theta$			±60		deg.
Total Capacitance	C_T	$V_R=10V, f=1MHz$		18		pF
Rise/Fall Time (10% ~ 90%)	t_r	$R_L=1K\Omega, V_R=10V$		30		ns
	t_f			30		ns