

L980-66-60 epoxy lens type Infrared illuminator

L980-66-60 is a wide viewing and extremely high output power illuminator assembled with a total of 60 high efficiency GaAs diode chips, mounted on a metal stem TO-66 with AlN ceramics and covered with double coated clear silicone and epoxy resin.

These devices are designed for high current operation with proper heat sinking to improve thermal conductive efficiency.

◆ Features

- 1) High reliability
- 2) Compact (TO-66) package
- 3) High output power at 980nm

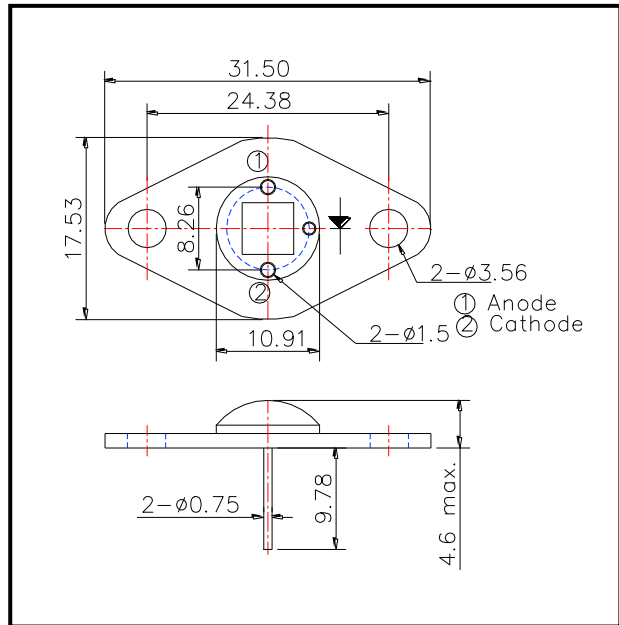
◆ Applications

- 1) For IR search light
- 2) For CCD lighting

Specifications

- 1) Product name IR illuminator
- 2) Spec. No. L980-66-60
- 3) Chip
 - (1) Material GaAs
 - (2) Peak wavelength 980m
- 4) Package
 - (1) Stem TO-66 stem with AlN
 - (2) Lens Epoxy lens

◆ Outer dimension (Unit:mm)



◆ Absolute Maximum Ratings

Item	Symbol	Maximum Rated Value	Unit	Ambient Temperature
Power Dissipation	P _D	8.2	W	T _a =25°C
Forward Current	I _F	800	mA	T _a =25°C
Pulse Forward Current	I _{FP}	3	A	T _a =25°C
Reverse Voltage	V _R	30	V	T _a =25°C
Junction Temperature	T _J	100	°C	
Thermal Resistance	R _{thjp}	10	K/W	
Operating Temperature	T _{OPR}	-30 ~ +80	°C	
Storage Temperature	T _{STG}	-30 ~ +100	°C	
Soldering Temperature	T _{SOL}	265	°C	

‡Pulse Forward Current condition: Duty=1% and Pulse Width=1us.

‡Soldering condition: Soldering condition must be completed within 3 seconds at 265°C

‡Thermal resistance: Junction – Package, mounded on heat sink

◆ Electro-Optical Characteristics

Item	Symbol	Condition	Minimum	Typical	Maximum	Unit
Forward Voltage	V _F	I _F =600mA		6.3		V
Radiated Power	P _o	I _F =600mA		150		mW
Radiant Intensity	I _E	I _F =600mA		-		mW/sr
Peak Wavelength	λ _P	I _F =600mA	975	985	995	nm
Half Width	Δλ	I _F =100mA		45		nm
Viewing Half Angle	θ _{1/2}	I _F =100mA		±60		deg.

‡Radiated Power is measured by S3584-08.