

L880-66-60 epoxy lens type Infrared illuminator

L880-66-60 is a wide viewing and extremely high output power illuminator assembled with a total of 60 high efficiency AlGaAs diode chips, mounted on a metal stem TO-66 with AlN ceramics and covered with double coated clear silicone and epoxy resin. These devices are designed for high current operation with proper heat sinking to improve thermal conductive efficiency.

◆ Features

- 1) High reliability
- 2) Compact (TO-66) package
- 3) High output power at 880nm

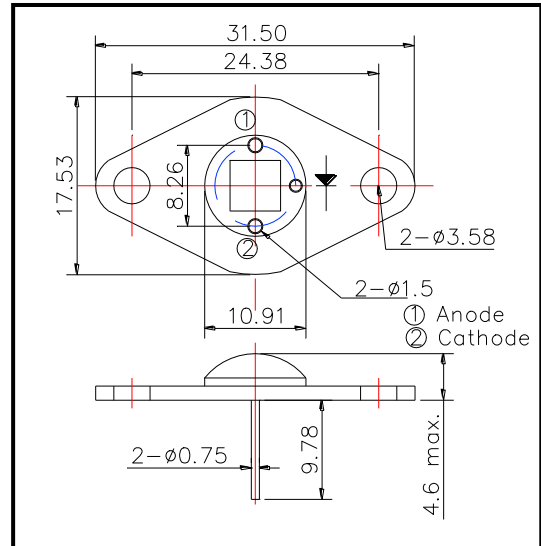
◆ Applications

- 1) For IR search light
- 2) For CCD lighting
- 3) For night vision light source

◆ Specifications

- 1) Product name IR illuminator
- 2) Spec. No. L880-66-60
- 3) Chip
 - (1) Material AlGaAs
 - (2) Peak wavelength 885m
- 4) Package
 - (1) Stem Cu made TO-66 stem with AlN
 - (2) Lens Clear silicone and epoxy lens

◆ Outer dimension (Unit: mm)



◆ Absolute Maximum Ratings

Item	Symbol	Maximum Rated Value	Unit	Ambient Temp.
Power Dissipation	PD	7.5	W	Ta=25°C
Forward Current	IF	1200	mA	Ta=25°C
Pulse Forward Current	IFP	6	A	Ta=25°C
Reverse Voltage	VR	50	V	Ta=25°C
Operating Temperature	T _{OPR}	-30 ~ +80	°C	
Storage Temperature	T _{STG}	-30 ~ +110	°C	
Soldering Temperature	T _{SOL}	265	°C	

‡Pulse Forward Current condition: Duty=1% and Pulse Width=1us.

‡Soldering condition: Soldering condition must be completed within 5 seconds at 265°C

◆ Electro-Optical Characteristics

Item	Symbol	Condition	Minimum	Typical	Maximum	Unit
Total Radiated Power	P _o	IF=800mA		1500		mW
Total Radiated Power	P _o	IFP=5A		9000		mW
Radiant Intensity	I _E	IF=800mA		(400)		mW/sr
Axial Radiated Power	I	IF=800mA		0.03		mW/cm ²
Forward Voltage	V _F	IF=800mA		7.50		V
Peak Wavelength	λ _P	IF=800mA	875	885	895	nm
Half Width	Δλ	IF=800mA		40		nm
Viewing Half Angle	θ _{1/2}	IF=800mA		±60		deg.
Rise Time	t _f	IF=100mA		15		ns
Fall Time	t _f	IF=100mA		10		ns

‡Axial Radiated Power condition: L=1m

‡LED is required to keep less than 60°C.