

## L780-66-60 epoxy lens type Infrared illuminator

L780-66-60 is a wide viewing and extremely high output power illuminator assembled with a total of 60 high efficiency AlGaAs diode chips, mounted on a metal stem TO-66 with AlN ceramics and covered with double coated clear silicone and epoxy resin. These devices are designed for high current operation with proper heat sinking to improve thermal conductive efficiency.

### ◆ Features

- 1) High reliability
- 2) Compact (TO-66) package
- 3) High output power at 780nm

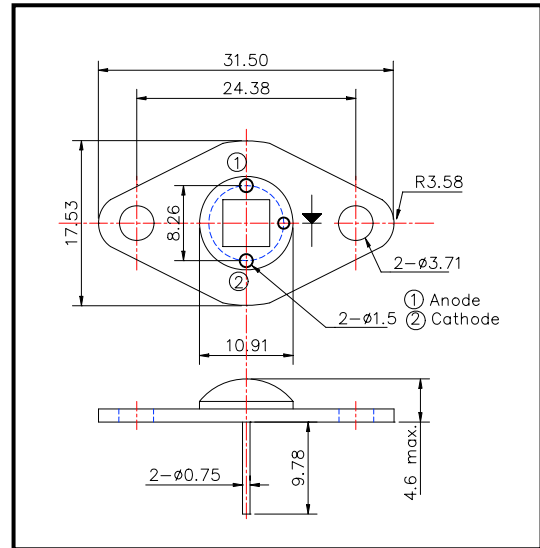
### ◆ Applications

- 1) For IR search light
- 2) For CCD lighting

### ◆ Specifications

- 1) Product name IR illuminator
- 2) Spec. No. L780-66-60
- 3) Chip
  - (1) Material AlGaAs
  - (2) Peak wavelength 780m
- 4) Package
  - (1) Stem TO-66 stem with AlN
  - (2) Lens Clear silicone and epoxy lens

### ◆ Outer dimension (Unit: mm)



### ◆ Absolute Maximum Ratings

Item	Symbol	Maximum Rated Value	Unit	Ambient Temp.
Power Dissipation	PD	7.8	W	Ta=25°C
Forward Current	IF	750	mA	Ta=25°C
Pulse Forward Current	IFP	3	A	Ta=25°C
Reverse Voltage	VR	50	V	Ta=25°C
Operating Temperature	TOPR	-30 ~ +80	°C	
Storage Temperature	TSTG	-30 ~ +110	°C	
Soldering Temperature	TSOL	240	°C	

‡Pulse Forward Current condition: Duty=1% and Pulse Width=1us.

‡Soldering condition: Soldering condition must be completed within 3 seconds at 260°C

### ◆ Electro-Optical Characteristics

Item	Symbol	Condition	Minimum	Typical	Maximum	Unit
Total Radiated Power	PO	IF=600mA		1000		mW
Total Radiated Power	PO	IF=3A		4000		mW
Radiant Intensity	IE	IF=600mA		450		mW/sr
Forward Voltage	VF	IF=600mA		9.0		V
Reverse Current	VR	IR=10uA	50			V
Peak Wavelength	λP	IF=600mA		780		nm
Half Width	Δλ	IF=600mA		40		nm
Viewing Half Angle	θ 1/2	IF=600mA		±60		deg.
Rise Time	tf	IF=600mA		100		ns
Fall Time	tf	IF=600mA		100		ns

‡Heat sink is required thermal resistance <8K/W