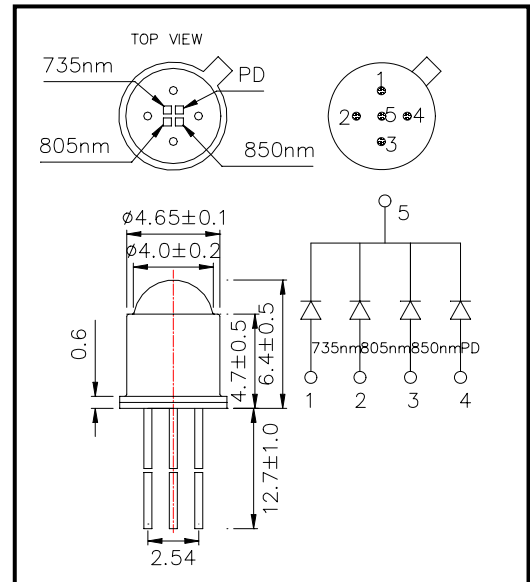


L735/805/850/PD-35B32 multi-wavelength LED

L735/805/850/PD-35B32 consists of an AlGaAs (735, 805nm and 850) LED and a Si-PD mounted on TO-18 stem hermetical sealed with a glass ball lens, and is designed to monitor reflected light through detector for controlling its own output power

◆Outer dimension (Unit: mm)



◆ Specifications

- 1) Product Name multi-wavelength LED Lamp
- 2) Type No. L735/805/850/PD-35B32
- 3) Chip
 - (1) Chip material AlGaAs and Si-PIN-PD
 - (2) Peak wavelength 735, 805, 850nm
- 4) Package
 - (1) Stem TO-18 5pin Type
 - (2) Lens Spherical Glass Ball Lens

◆ Absolute Maximum Ratings [Ta=25°C]

Item	Symbol	Maximum Rated Value				Unit
		735	805	850	PD	
Power Dissipation	PD	150	170	170	-	mW
Forward Current	IF	75	100	100	-	mA
Pulse Forward Current	IF	300	500	1000	-	mA
Reverse Voltage	VR	5			100	V
Operating Temperature	TOPR	-30 ~ +85				°C
Storage Temperature	TSTG	-30 ~ +100				°C
Soldering Temperature	TSOL	260				°C

‡Soldering condition: Soldering condition must be completed within 3 seconds at 260°C and is allowed in the area apart 3mm from the bottom of the lamp.

◆ Electro-Optical Characteristics [Ta=25°C]

Symbol	Wavelength	Condition	Minimum	Typical	Maximum	Unit
VF	735	IF=50mA		1.8	2.2	V
	805			1.7	2.0	
	850			1.5	1.7	
IR		VR=5V			10	uA
PO	735	IF=50mA		7.0		mW
	805			10.0		
	850			10.0		
λP	735	IF=50mA	725	735	745	nm
	805		795	805	815	
	850		840	850	860	
Δλ	660	IF=50mA		30		nm
	805			30		
	940			40		
IL	735	VR=10V		150		uA
	805			220		
	850			300		
ID	PD	VR=10V			10	nA

‡Total Radiated Power is measured by Photodyne #500