

L735/805/850-40C32 multi-wavelength LED

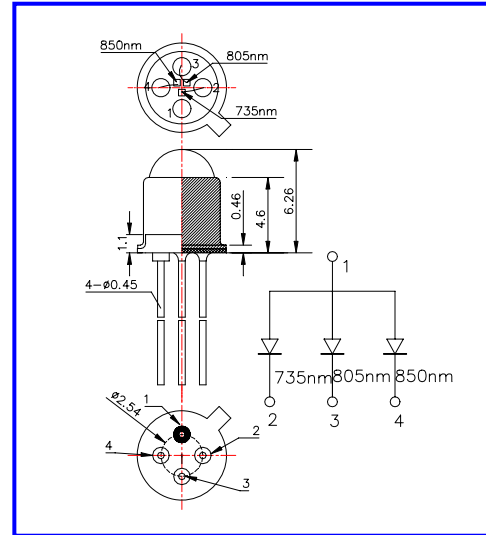
L735/805/850-40C32 consists of an AlGaAs (735, 805, 850nm) LED mounted on TO-18 4pins type stem with a glass lens.

Chips are connected as anode common.

◆ Specifications

- | | |
|---------------------|---------------------------|
| 1) Product Name | Multi-wavelength LED Lamp |
| 2) Type No. | L735/805/850-40C32 |
| 3) Chip | |
| (1) Chip material | AlGaAs |
| (2) Peak wavelength | 735, 805, 850nm |
| 4) Package | |
| (1) Stem | TO-18 4pin type |
| (2) Lens | Φ5 spherical glass |

◆ Outer dimension (Unit: mm)



◆ Absolute Maximum Ratings [Ta=25°C]

| Item | Symbol | Maximum Rated Value | | | Unit |
|-----------------------|--------|---------------------|-----|-----|------|
| | | 735 | 805 | 850 | |
| Power Dissipation | PD | 180 | 170 | 160 | mW |
| Forward Current | IF | 75 | 100 | 100 | mA |
| Pulse Forward Current | IF | 200 | 300 | 500 | mA |
| Reverse Voltage | VR | 5 | | | V |
| Operating Temperature | TOPR | -20 ~ +80 | | | °C |
| Storage Temperature | TSTG | -30 ~ +100 | | | °C |
| Soldering Temperature | TSOL | 240 | | | °C |

‡Soldering condition: Soldering condition must be completed within 3 seconds at 240°C and is allowed in the area apart 3mm from the bottom of the lamp.

◆ Electro-Optical Characteristics [Ta=25°C]

| Item | Symbol | Wavelength | Condition | Minimum | Typical | Maximum | Unit |
|--------------------|--------|------------|-----------|---------|---------|---------|------|
| Forward Voltage | VF | 735 | IF=50mA | | 1.85 | 2.30 | V |
| | | 805 | | 1.60 | 1.80 | | |
| | | 850 | | 1.55 | 1.7 | | |
| Reverse Current | IR | | VR=5V | | | 10 | uA |
| Total Output Power | PO | 735 | IF=50mA | 5.0 | 9.0 | | mW |
| | | 805 | | 5.0 | 9.0 | | |
| | | 850 | | 5.0 | 9.0 | | |
| Peak Wavelength | λP | 735 | IF=50mA | 710 | 735 | 755 | nm |
| | | 805 | | 790 | 805 | 820 | |
| | | 850 | | 835 | 850 | 865 | |
| Half Wavelength | Δλ | 735 | IF=50mA | | 40 | | nm |
| | | 805 | | | 40 | | |
| | | 850 | | | 40 | | |

‡Total Radiated Power is measured by Photodyne #500

Marubeni

Marubeni America Corporation

3945 Freedom Circle, Suite 1000, Santa Clara, CA 95054

408-330-0650 (Ext. 323), 408-330-0655 (Fax), sales@tech-led.com