

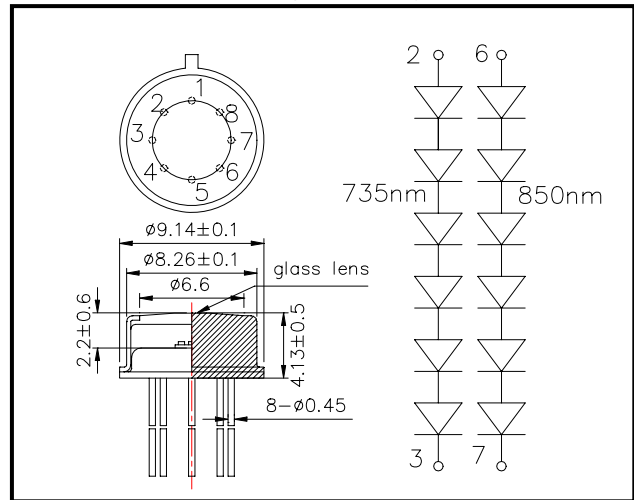
L6*735/6*850-40Q96-I multi-wavelength LED

L6*735/6*850-40Q96-I consists of 12 chips of AlGaAs (735nm and 850nm) LED mounted with AlN heat sink pedestal on TO-5 stem and sealed with a flat glass can.

◆ Specifications

1) Product Name	Multi-wavelength LED Lamp
2) Type No.	L6*735/6*850-40Q96-I
3) Chip	
(1) Chip material	AlGaAs
(2) Peak wavelength	735, 850nm
(3) Chip numbers	Each 6pcs
4) Package	
(1) Stem	TO-5, 8 pins type
(2) Lens	Flat glass can

◆ Outer dimension (Unit: mm)



◆ Absolute Maximum Ratings [Ta=25°C]

Item	Symbol	Maximum Rated Value		Unit
		735	850	
Power Dissipation	PD	1100	1280	mW
Forward Current	IF	75	100	mA
Pulse Forward Current	IF	200	500	mA
Reverse Voltage	VR	5		V
Operating Temperature	TOPR	-20 ~ +80		°C
Storage Temperature	TSTG	-30 ~ +100		°C
Soldering Temperature	TSOL	240		°C

‡Soldering condition: Soldering condition must be completed within 3 seconds at 240°C and is allowed in the area apart 3mm from the bottom of the lamp.

◆ Electro-Optical Characteristics [Ta=25°C]

Symbol	Wavelength	Condition	Minimum	Typical	Maximum	Unit
VF	735	IF=50mA		11.0	14.0	V
	850			8.5	11.0	
IR		VR=10V			10	uA
PO	735	IF=50mA		50		mW
	850			60		
λP	735	IF=50mA		735		nm
	850			850		
Δλ	735	IF=50mA		30		nm
	850			40		

‡Total Radiated Power is measured by Photodyne#500

Marubeni

Marubeni America Corporation

3945 Freedom Circle, Suite 1000, Santa Clara, CA 95054

408-330-0650 (Ext. 323), 408-330-0655 (Fax), sales@tech-led.com