

L420-66-60-110

Flat Lens Type UV Light Illuminator

L420-66-60-110 is a wide viewing and extremely high output power illuminator assembled with a total of 60 high efficiency InGaN UV diode chips, mounted on a metal stem TO-66 and covered with Flat Glass Cap.

These devices are designed for high current operation with proper heat sinking to improve thermal conductive efficiency.

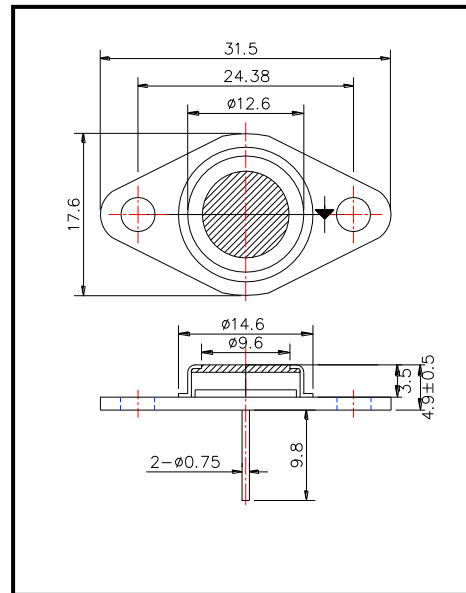
◆ Outer dimension (Unit: mm)

◆ Features

- 1) High reliability
- 2) Compact (TO-66) package
- 3) High output power at 420nm

◆ Specifications

- | | |
|---------------------|----------------------|
| 1) Product name | UV Light Illuminator |
| 2) Spec. No. | L420-66-60-110 |
| 3) Chip | |
| (1) Material | InGaN |
| (2) Peak wavelength | 420nm |
| 4) Package | |
| (1) Stem | TO-66 stem |
| (2) Lens | Flat Glass cap |



◆ Absolute Maximum Ratings

Item	Symbol	Maximum Rated Value	Unit	Ambient Temperature
Power Dissipation	P _D	12.0	W	T _a =25°C
Forward Current	I _F	600	mA	T _a =25°C
Reverse Voltage	V _R	30	V	T _a =25°C
Operating Temperature	T _{OPR}	-30 ~ +80	°C	
Storage Temperature	T _{STG}	-30 ~ +100	°C	
Soldering Temperature	T _{SOL}	265	°C	

‡Soldering condition : Soldering condition must be completed within 3 seconds at 265°C

◆ Electro-Optical Characteristics

Item	Symbol	Condition	Minimum	Typical	Maximum	Unit
Forward Voltage	V _F	I _F =400mA		18.0		V
Brightness	I _V	I _F =400mA		-		mcd
Total Radiated Power	P _O	I _F =400mA		550		mW
Radiant Intensity	I _E	I _F =400mA		-		mW/sr
Peak Wavelength	λ _P	I _F =240mA		420		nm
Half Width	Δλ	I _F =240mA		15		nm
Viewing Half Angle	θ _{1/2}	I _F =240mA		±55		deg.

‡Total Radiated Power is measured by S3584-08

‡LED is required to keep less than 60°C.

Marubeni America Corporation

3945 Freedom Circle, Suite 1000, Santa Clara, CA 95054
408-330-0650 (Ext. 330), 408-330-0655 (FAX), sales@tech-led.com