

## L415-66-60-110 Flat Lens Type UV Light Illuminator

L415-66-60-110 is a wide viewing and extremely high output power illuminator assembled with a total of 60 high efficiency InGaN UV diode chips, mounted on a metal stem TO-66 and covered with Flat Glass Cap.

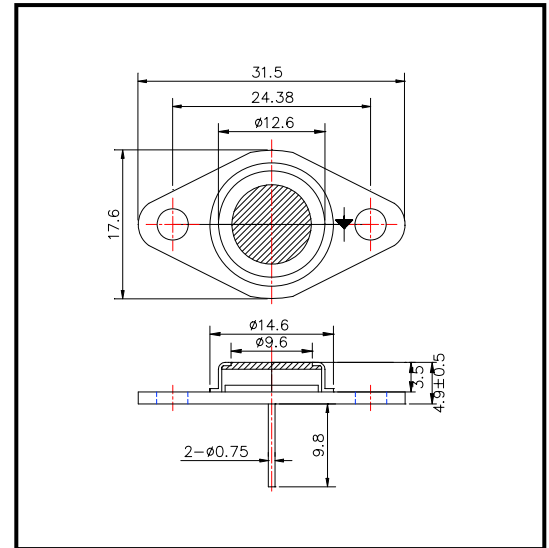
### ◆ Features

- 1) High reliability
- 2) Compact (TO-66) package
- 3) High output power at 415nm

### ◆ Specifications

- 1) Product name           UV Light Illuminator
- 2) Spec. No.               L415-66-60-110
- 3) Chip
  - (1) Material               InGaN
  - (2) Peak wavelength   415nm
- 4) Package
  - (1) Stem                   TO-66 stem
  - (2) Lens                   Flat Glass cap

### ◆ Outer dimension (Unit: mm)



### ◆ Absolute Maximum Ratings

Item	Symbol	Maximum Rated Value	Unit	Ambient Temperature
Power Dissipation	PD	6.0	W	Ta=25°C
Forward Current	IF	300	mA	Ta=25°C
Pulse Forward Current	IFP	500	mA	Ta=25°C
Reverse Voltage	VR	30	V	Ta=25°C
Operating Temperature	TOPR	-30 ~ +80	°C	
Storage Temperature	TSTG	-30 ~ +100	°C	
Soldering Temperature	TSOL	240	°C	

‡Pulse Forward Current condition: Duty=1% and Pulse Width=1us.

‡Soldering condition : Soldering condition must be completed within 3 seconds at 260°C

### ◆ Electro-Optical Characteristics

Item	Symbol	Condition	Minimum	Typical	Maximum	Unit
Forward Voltage	VF	IF=240mA		18.0		V
Brightness	IV	IF=240mA		80		mcd
Total Radiated Power	PO	IF=240mA		300		mW
Radiant Intensity	IE	IF=240mA		-		mW/sr
Reverse Current	VR	IR=10uA	30			V
Peak Wavelength	λP	IF=240mA	505	415	425	nm
Half Width	Δλ	IF=240mA		15		nm
Viewing Half Angle	θ 1/2	IF=240mA		±55		deg.

‡Heat sink is required thermal resistance <8K/W

‡Brightness is measured by Tektronix J-16.

‡Radiated Power is measured by Ando Optical Multi Meter AQ2140 & AQ2741