

# L405-66-60-110

Flat Lens Type UV Light Illuminator

L405-66-60-110 is a wide viewing and extremely high output power illuminator assembled with a total of 60 high efficiency InGaN UV diode chips, mounted on a metal stem TO-66 and covered with Flat Glass Cap.

These devices are designed for high current operation with proper heat sinking to improve thermal conductive efficiency.

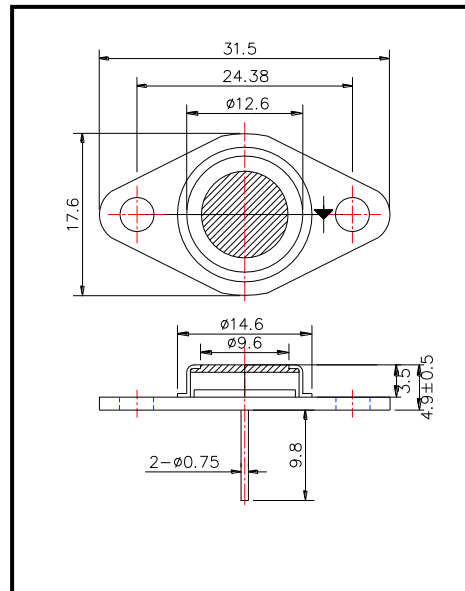
◆ Outer dimension (Unit: mm)

◆ Features

- 1) High reliability
- 2) Compact (TO-66) package
- 3) High output power at 405nm

◆ Specifications

- 1) Product name           UV Light Illuminator
- 2) Spec. No.               L405-66-60-110
- 3) Chip
- (1) Material                InGaN
- (2) Peak wavelength   405nm
- 4) Package
- (1) Stem                    TO-66 stem
- (2) Lens                    Flat Glass cap



◆ Absolute Maximum Ratings

Item	Symbol	Maximum Rated Value	Unit	Ambient Temperature
Power Dissipation	P <sub>D</sub>	11.0	W	T <sub>a</sub> =25°C
Forward Current	I <sub>F</sub>	600	mA	T <sub>a</sub> =25°C
Reverse Voltage	V <sub>R</sub>	30	V	T <sub>a</sub> =25°C
Operating Temperature	T <sub>OPR</sub>	-30 ~ +80	°C	
Storage Temperature	T <sub>STG</sub>	-30 ~ +100	°C	
Soldering Temperature	T <sub>SOL</sub>	265	°C	

‡Soldering condition : Soldering condition must be completed within 3 seconds at 265°C

◆ Electro-Optical Characteristics

Item	Symbol	Condition	Minimum	Typical	Maximum	Unit
Forward Voltage	V <sub>F</sub>	I <sub>F</sub> =400mA		17.0		V
Brightness	I <sub>V</sub>	I <sub>F</sub> =400mA		-		mcd
Total Radiated Power	P <sub>O</sub>	I <sub>F</sub> =400mA		300		mW
Radiant Intensity	I <sub>E</sub>	I <sub>F</sub> =400mA		-		mW/sr
Reverse Current	V <sub>R</sub>	I <sub>R</sub> =10uA	30			V
Peak Wavelength	λ <sub>P</sub>	I <sub>F</sub> =240mA	(400)	405	(410)	nm
Half Width	Δλ	I <sub>F</sub> =240mA		15		nm
Viewing Half Angle	θ 1/2	I <sub>F</sub> =240mA		±55		deg.

‡Total Radiated Power is measured by S3584-08

‡LED is required to keep less than 60°C.

**Marubeni America Corporation**

3945 Freedom Circle, Suite 1000, Santa Clara, CA 95054  
408-330-0650 (Ext. 330), 408-330-0655 (FAX), sales@tech-led.com